

PRODUCT INFORMATION

ECG Cable Guards are effective in protecting utility pole termination cables from accidental damage and impact from vehicles and machinery. The ECG range of cable and pole guards are extremely robust and come in several sizes for convenience. They can attach to wooden poles using Tek screws or to concrete utility poles using stainless steel strapping.

FEATURES

ECG 32 & 35:

- Light Grey in colour
- Made from UV Stabilised Polyethylene
- Effective against vehicle and machinery impact
- Provides weather protection for cables
- Tested to AS/NZ 4702-2000

ECG32 Ground bury:

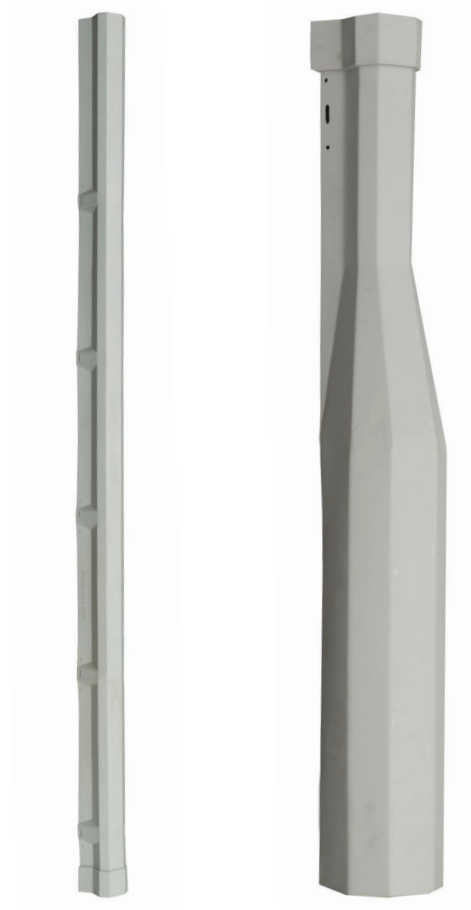
- Protection at the pole base as it emerges from the ground
- Used with the ECG32 provides seamless protection for cables

ECGP43:

- This pole guard provides superior protection, wrapping entirely around the pole

GENERAL FEATURES

- Wall Thickness: 6mm
- Fixing to wooden poles via 6mm drilled holes at 430mm centres for Tek screws
- Fixing to concrete poles via support and captive slots at 560mm centres for stainless steel strapping



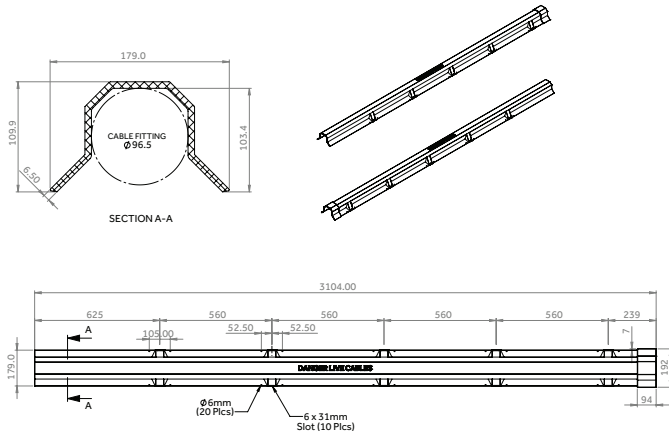
PRODUCT SKU'S

SKU	PRODUCT	DIMENSIONS
209006	ECG 35 CABLE GUARD	2.4mm x 104mm
209007	ECG 32 CABLE GUARD	3.1mm x 179mm
209008	ECG 32 GROUND BURY - LONG	1.36mm x 176mm
209009	ECG P43 CABLE GUARD	3.0mm x 485mm

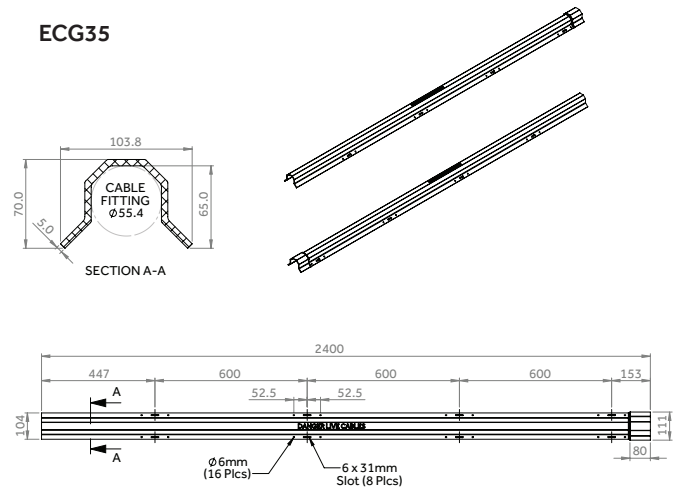
PRODUCT INFORMATION

2-DIMENSIONAL DRAWINGS

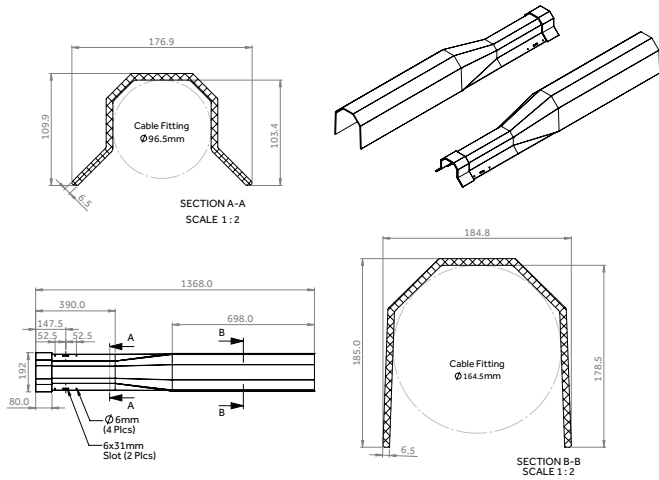
ECG32



ECG35



ECG32 GROUND BURY



ECG P43

