

## PRODUCT INFORMATION

The rugged Gyro gear bins have a track record of being extremely versatile and robust. They make the perfect accessory for moving stock around the warehouse or taking tools and stuff to the work site. Initially designed to withstand the rigours of the commercial fishing and the meat processing industries, they have also been kicking around in paddocks, in factories and in trade vehicles all over the country for more than 20 years without breaking.

### FEATURES

- Bins can stack or nest for convenient storage
  - Impact and graffiti resistant so they stay looking good
  - UV and heat resistant to help last longer
  - Available in various colours
  - Plastic bin recyclable with GYRO-cycled program
- 
- 36 L Gear Bin Dimensions
  - Length: 585mm x Width: 375mm x Depth: 195mm
  - Internal Volume: 27L
- 
- 60 L Gear Bin Dimensions
  - Length: 710mm x Width: 425mm x Depth: 275mm
  - Internal Volume: 55L

#### Optional Features

- We offer a Lifetime Return-To-Base "No Cracking" guarantee



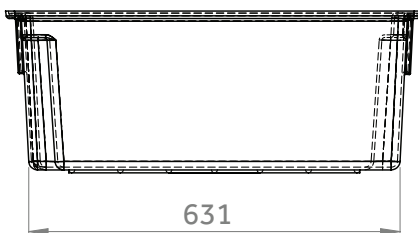
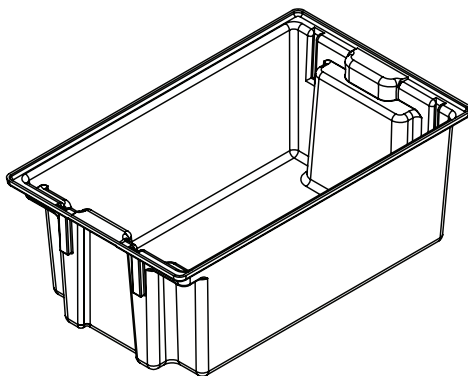
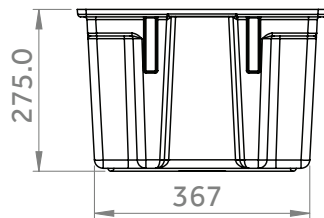
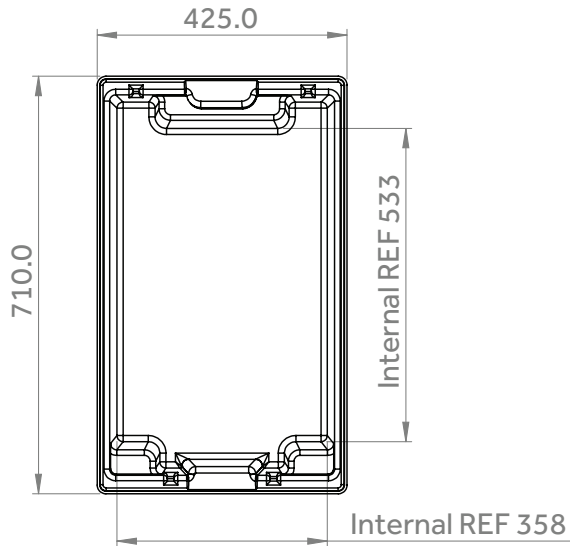
### PRODUCT SKU'S

SKU	DESCRIPTION
301000	36L GEAR BIN - MULTI COLOUR
301001	60L GEAR BIN - BLACK
301002	60L GEAR BIN - MULTI COLOUR
301003	60L GEAR BIN - NATURAL

## PRODUCT INFORMATION

### 2-DIMENSIONAL DRAWINGS

**60L Gear Bin**



**36L Gear Bin**

