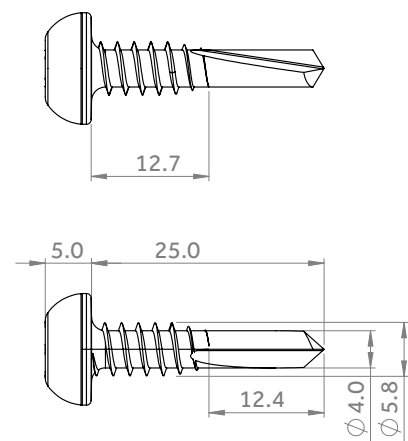
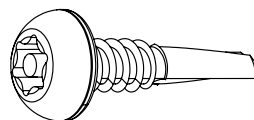
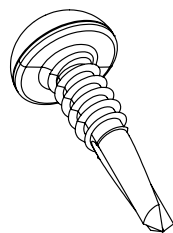
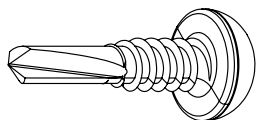
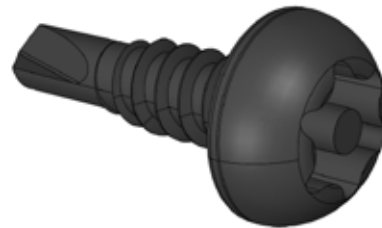


PRODUCT INFORMATION

The amazing Nylon Tek Screws were specially designed in-house for on-site emergency repairs to plastic pillars. They are able to self-tap into polyethylene for repairs to most pillars and lids to provide electric shock protection and electrical isolation for the safety of the installer and the public alike. The Torx head allows for secure fastening and a driver bit is supplied with packs of 100.

FEATURES

- Self-tap through polyethelene for quick repair
- Torx Post T40 head for tamper protection
- Nylon for prevention of electrical conductivity
- Driver bit supplied with x100 pot



PRODUCT SKU'S

SKU	PRODUCT	DESCRIPTION
504001	12Gx25 NYLON T40 SELF TAPPING SCREW (W DRIVER)	Pot of x 100 with driver tip included