

## PRODUCT INFORMATION

The Transformer Guards are designed to be used at each end of the concrete plinth underneath ground mounted transformers. These are to cover and protect the cables from the ground to the transformer. Made from 6mm PVC, they are light, manoeuvrable and can easily be cut down to required size on site if necessary. Other sizes can easily be made to order but will be subject to MOQ.

### FEATURES

- Light weight for easy transportation
- Easily cut to size for on-site customisation
- Non-conductive for greater safety

#### Optional Features

- Custom sizes available on request
- Specific Busck Pad options available



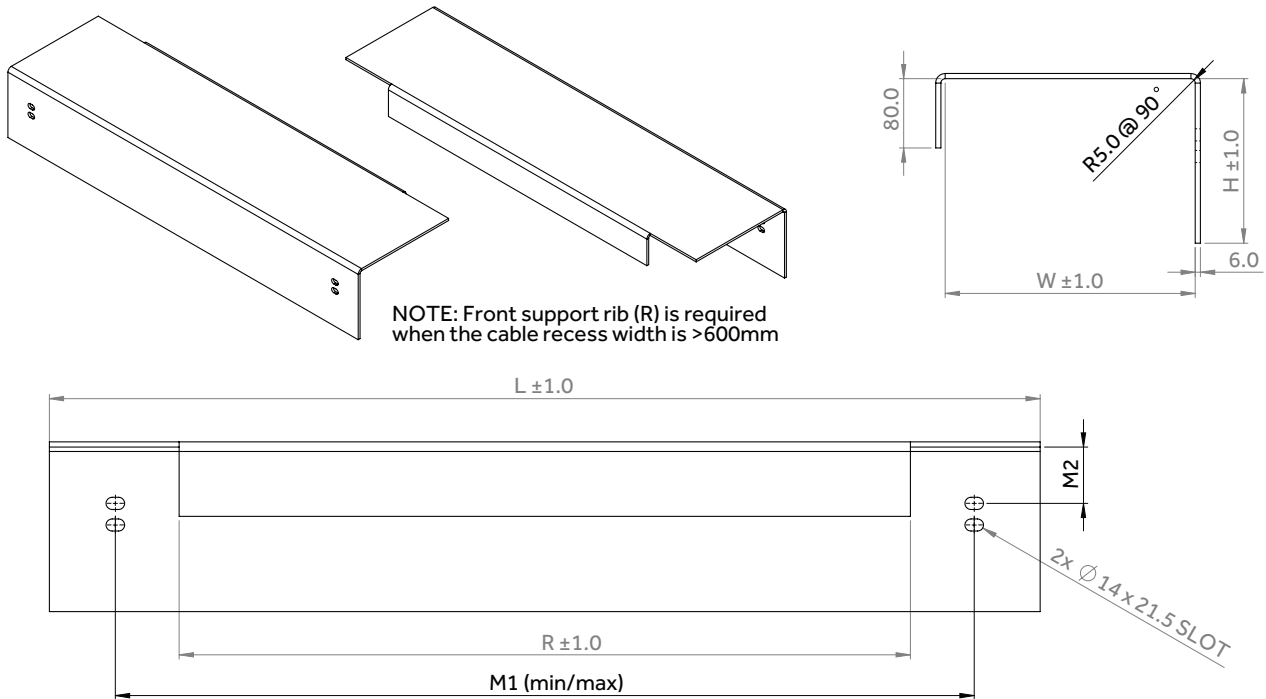
### PRODUCT SKU'S

SKU	PRODUCT	DESCRIPTION
107012	GUA 303 – order ex stock	920 x 300 x 200mm
107014	GUA 305 – order ex stock	800 x 200 x 200mm
107016	GUA 307 – order ex stock	1200 x 300 x 200mm
	Busck Pad Specific – Lead time approx. 10 days	
107031	GUA 319: Busck MSP2250EDT (100KVA)	1145 x 289 x 190mm + 845mm rib
107032	GUA 320: Busck MSP2250EDT (200KVA)	1145 x 245 x 190mm + 845mm rib
107033	GUA 321: Busck MSP2250EDT (500KVA)	1145 x 180 x 190mm + 845mm rib
107034	GUA 322: Busck MSP2250ED (1000KVA)	1295 x 100 x 140mm + 895mm rib
	Other Guard sizes – Lead Time approx. 10 days	
107015	GUA 306 – in multiples of 15	1200 x 300 x 150mm
107017	GUA 308 – in multiples of 12	1020 x 300 x 200mm
107021	GUA 312 – in multiples of 6	100 x 150 x 250mm

## PRODUCT INFORMATION

### 2-DIMENSIONAL DRAWINGS

#### BUSCK PAD GUARDS



#### STANDARD GUARDS

