

## PRODUCT INFORMATION

A multi-use open access pillar with extra panel area above ground level that can be removed to provide additional access to cable area. Handy for installations where maximum cable area is required due to it's high ground level clearance.

### MAXIMUM FUSE CAPACITY

8 x 63A

### FEATURES

- Fitted with a 8-way neutral bar and rubber apron for maximum safety
- Air ventilation to help dissipate condensation
- Impact and graffiti resistant to reduce maintenance
- UV and heat resistant to increase asset life
- Stainless steel lid screws: 2 x M8 x 16mm button head
- Tapered screw thread allows centring before tightening
- Plastic lid and base recyclable with GYROCYCLE program

#### Optional Features

- Lock, asset tag or alternative screws fitted to your network spec
- Alternative screws can be provided to suit network spec

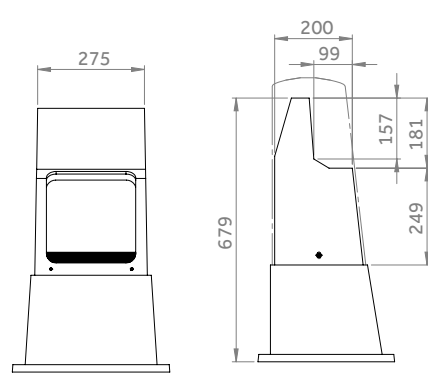
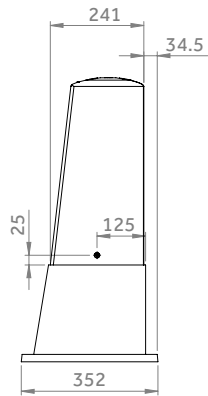
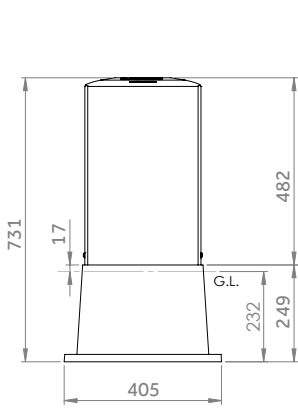
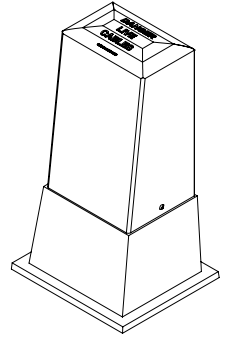
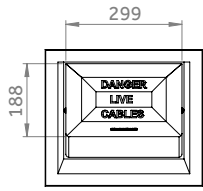


### PRODUCT SKU'S

SKU	PRODUCT	DESCRIPTION
201070	EP100 ASSEMBLY & NEUTRAL BAR - BLACK	Assembly – Black Lid
201073	EP100 ASSEMBLY & NEUTRAL BAR – BLACK MARLBOROUGH	Assembly Marlborough spec
201072	EP100 LID ONLY - BLACK	Lid only
201071	EP100 BASE - BLACK	Base only

## PRODUCT INFORMATION

### 2-DIMENSIONAL DRAWINGS



FUSE MOUNTING AREA  
MAXIMUM CAPACITY 8x FUSES