

PRODUCT INFORMATION

Our most compact pillar, suitable for single-phase applications, lighting pillars or as a cover for above ground cable jointing. Normally buried to within 100 mm of the base of the lid and stands only 380mm above ground.

MAXIMUM FUSE CAPACITY

1 x 63A Fuse

FEATURES

- Our most compact pillar provides small footprint
- Ground level marker ensures consistent depth burial
- Fitted with a 1-way neutral stud for convenience
- Strengthened lip for better security
- Air ventilation to help air flow
- Impact and graffiti resistant to reduce maintenance
- UV and heat resistant to increase asset life
- Stainless steel lid screws: 2 x M8 x 16mm button head
- Captive Lid Screws – includes clip to hold screw in place
- Tapered screw thread allows centring before tightening
- The plastic lid and base are non-conductive making them safer
- Plastic lid and base recyclable with GYRO-cycled program

Optional Features

- Lock, asset tag or alternate screws fitted to suit network requirements
- Fuse carrier fitted to your network requirements

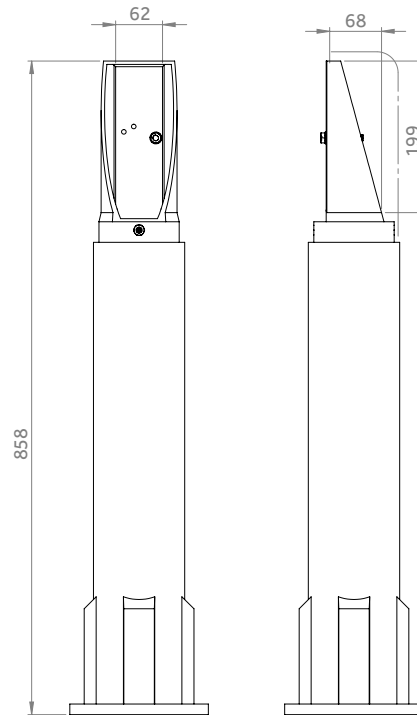
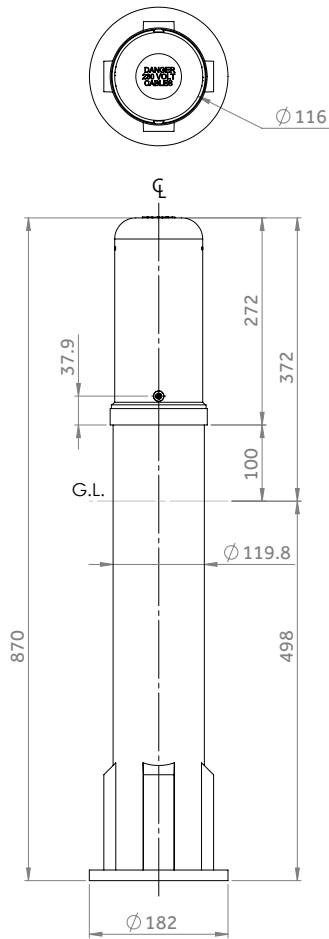


PRODUCT SKU'S

SKU	PRODUCT	DESCRIPTION
201000	EP1R ASSEMBLY & NEUTRAL STUD - BLACK	Assembly – Black Lid
201001	EP1R ASSEMBLY & NEUTRAL STUD - KHAKI	Assembly – Khaki Lid
201002	EP1R ASSEMBLY & NEUTRAL STUD – BLACK COUNTIES SPEC	Assembly – Black Lid
201004	EP1R LID ONLY - BLACK	Lid Only Black
201005	EP1R LID ONLY - KHAKI	Lid Only Khaki
201003	EP1R BASE ONLY - BLACK	Base Only

PRODUCT INFORMATION

2-DIMENSIONAL DRAWINGS



FUSE MOUNTING AREA
MAXIMUM CAPACITY 1x FUSE

